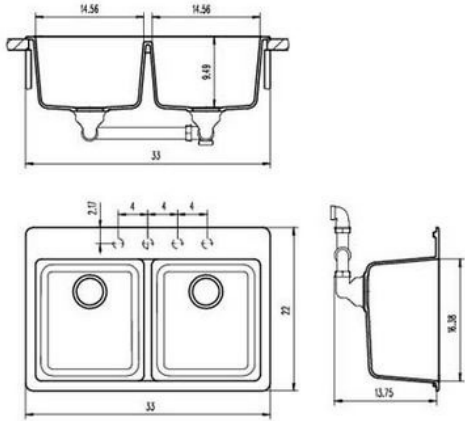


GRANITE COMPOSITE SINKS

GC - 200

Specifications:

- Available in Beige, Onyx, Mocha & Alpina
- Stain-Resistant
- Scratch, Chip, and Heat Resistant up to 535°F
- UnderMount or Topmount Installation
- Composed of 80% Solid, Natural Granite



Beige



Onyx / Black



Mocha / Brown



Alpina / White

